

# HS 3837 Shower BF

Hydro Systems, Inc.  
 29132 Avenue Paine, Valencia CA  
 Phone: (661)775-0686 - Fax: (661)775-0668  
 www.hydrossystem.com • email:sales@hydrossystem.com



## Features:

- Overall Dimensions installed:  
38" W x 37" D x 77" H
- Fire retardant Gel-coat finish
- Wall meet Class I and Class A ratings per  
ASTM E-84 Flame spread and smoke density  
requirements for both inside and outside surfaces
- Galvanized steel reinforcing stiffeners
- Extra reinforcing in all critical areas
- Slip resistant floor
- Soap dish
- 16" x 30" Satin finish stainless steel grab bar  
horizontally mounted
- Choice of Naugahyde over foam rubber or a hard  
phenolic folding wheelchair transfer seat factory  
installed
- 36" Satin finish stainless steel curtain rod installed
- Drain is brass body, self-caulking with stainless  
steel strainer
- Unit is packaged with cardboard on forklift pallet  
Full LTL wooden shipping crate available as option

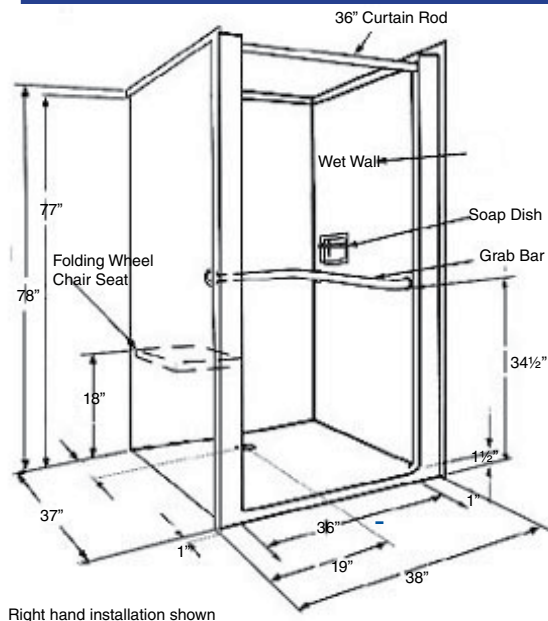
All specifications subject to change without notice.

## Suggested Mechanical Specifications:

Hydro Systems HS 3837 (1½" threshold) shower with 5 year limited warranty, 38" Wide x 37" Deep x 77" High with folding WheelChair transfer seat conforming to ADA accessibility standards, 1" O.D. satin finish stainless steel curtain rod, 16" x 30" satin finish stainless steel grab bar on wet wall and rear wall, one soap dish on wet wall, center drain with center sloping integrally molded slip-resistant floor. Units shall be molded of gel-coated fiberglass reinforced polyester resin. Units shall meet or exceed physical and performance requirement for Type 2 gel-coated fixtures (of ANSI Z124.2 showers). Standing/walking surfaces shall meet slip-resistance requirements of Consumer Safety Specification ASTM F-462, with static friction coefficient no less than 0.04. Handicapped grab bars shall be nom. 1½" O.D. and support a minimum load of 250 lbs. in accordance with the Consumer Safety Specification ASTM F-446 and ANSI A117.1 guidelines. Units shall have a flame spread rating of 25 or less (ASTM E-84, E162); smoke density rating of 450 or less per (ASTM E-84); equal to Class A, NFPA, and Class 1, Uniform Building Code. Units shall bear or have affixed to them a molded manufacturer's identification logo/or permanent label showing manufacturer's name and model number and the seal of the Uniform Plumbing Code and shall be accompanied by detailed installation recommendations. Also affixed and for removal by the owner /occupant/user only, unit shall be equipped with user maintenance instructions and the full text of the limited warranty. As manufactured by Hydro Systems, Inc. - Valencia, California.

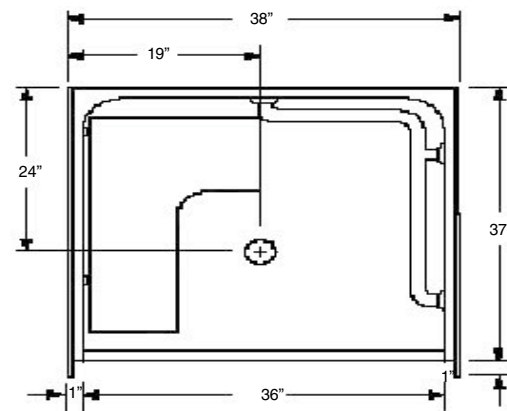
## Warranty

Hydro Systems, Inc. products are backed by our exclusive 5 year limited warranty. (see warranty for complete details)



## Approvals

- IAPMO/UPC - Uniform Plumbing Code - File 3307
- ANSI Z124.2 - Standard for Plastic Shower Units
- ANSI A117.1 - Accessibility and Grab Bar Guidelines
- ASTM E-84 - Flame Spread and Smoke Density



- ASTM F-446 - Grab Bars and Accessories Installed in the Bathing Area
- ASTM F-462 - Specification for Slip-Resistant Bathing Facilities

Galvanized steel reinforced and/or wood reinforcement will vary due to application of accessories

